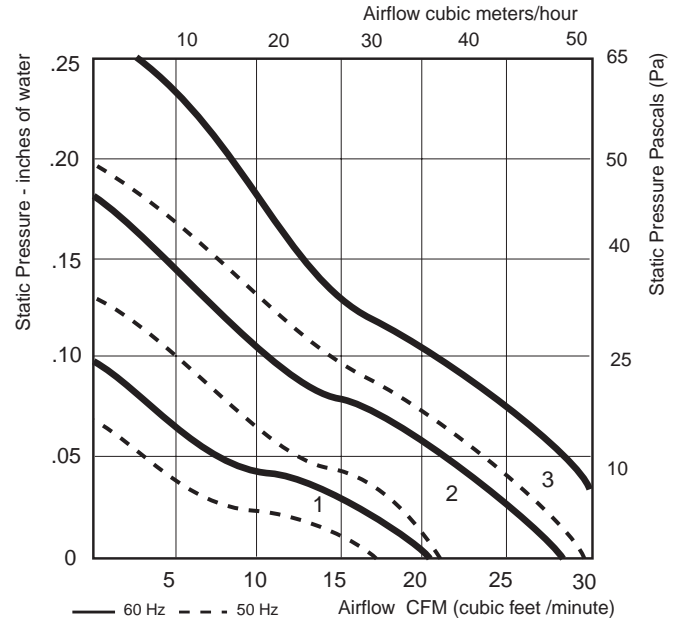
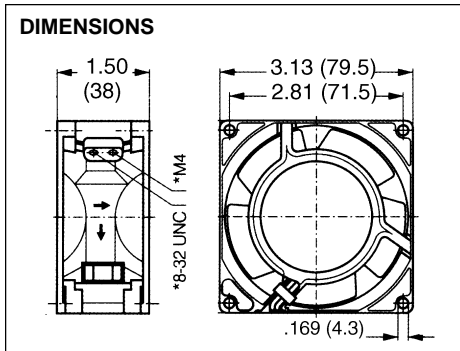


# 80 x 38mm (3.1" X 1.5") AC FAN

# 8000V Series

Terminals  
Air Exhaust – Over struts  
Mounting Bosses



AVAILABLE WITH:

**HIGH PERFORMANCE**  
**SINTEC**  
SLEEVE BEARING SYSTEM

## 3.13" X 3.13" X 1.50" AC Fan, All Metal, Air Exhaust – Over struts

Curve	PART NUMBER	Type of Bearing	AC Volts	Hertz	Watts	CFM @ 0"	dBA	Temp. Max °C	Wgt. (oz)	Features	Approvals*		
											UL	CSA	VDE
1	<b>8830V</b>	Sleeve	115	50/60	8	21	21	80	17	Terminals	√	√	√
1	<b>8880V</b>	Sleeve	230	50/60	8	21	21	80	17	Terminals	√	√	√
2	<b>8800V</b>	Sleeve	115	50/60	11	28	28	70	17	Terminals	√	√	√
2	<b>8850V</b>	Sleeve	230	50/60	11	28	28	70	17	Terminals	√	√	√
3	<b>8500V</b>	Sleeve	115	50/60	11	36	34	75	17	Terminals	√	√	√
3	<b>8550V</b>	Sleeve	230	50/60	11	36	34	75	17	Terminals	√	√	√
3	<b>8506V</b>	Ball	115	50/60	11	36	35	95	17	Terminals	√	√	√
3	<b>8556V</b>	Ball	230	50/60	11	36	35	95	17	Terminals	√	√	√
3	<b>8560VV</b>	Sleeve	115/230	50/60	11	36	34	70	17	22 AWG 12.2" Leads	√	√	√

\* UL yellow card E38324, CSA file 27697, VDE file 6617

CONSTRUCTION MOUNTING & CONNECTION	<b>Mounting:</b>	Either face using four .169" (4.3mm) holes.	<b>Housing:</b>	Metal with metal impeller
	<b>Weight:</b>	17 ounces (490g)	<b>Connection:</b>	Terminals, two flat pins, .110" x .02" (2.8 x .5 mm)